

# RF AMPLIFIER

Available as: BXMP1055, SMA Replaceable Female Connector

## MODEL **BXMP1055**

### Features

- High Output Power: +30 dBm Typical
- High Gain: 24 dB Typical
- Environmental Screening Available

### Typical Intermodulation Performance at 25 °C

Second Order Harmonic Intercept Point ..... +55 dBm (Typ.)  
 Second Order Two Tone Intercept Point ..... +50 dBm (Typ.)  
 Third Order Two Tone Intercept Point ..... +40 dBm (Typ.)

### Specifications

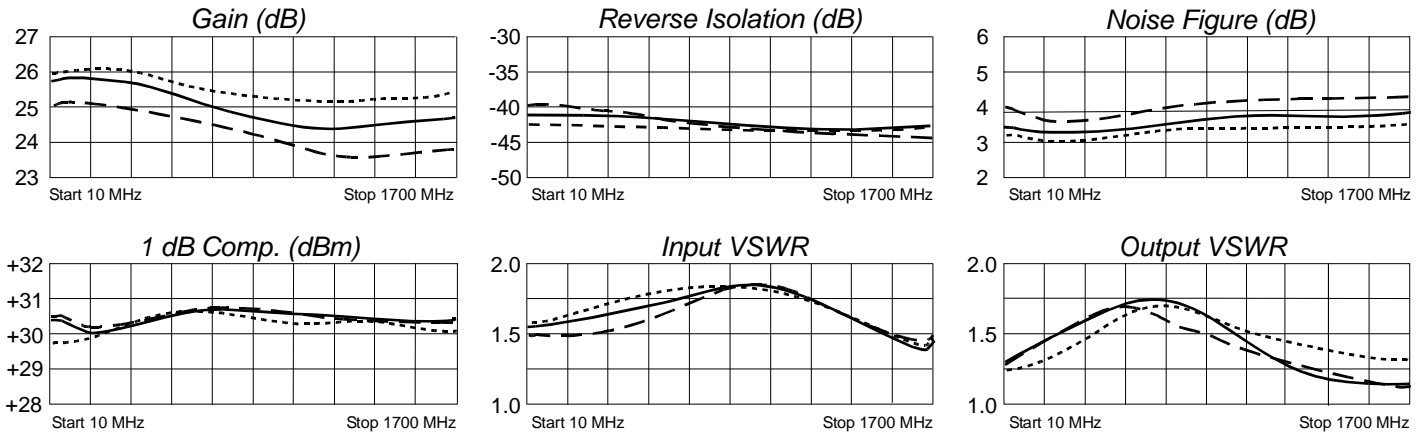
CHARACTERISTIC	TYPICAL Ta= 25 °C	MIN/MAX Ta = -40 °C to +85 °C
Frequency (MHz)	10 - 1700 MHz	10 - 1700 MHz
Gain (dB)	24	23 Min.
Power @ 1 dB Comp. (dBm)	+30	+29 Min.
Reverse Isolation (dB)	-35	—
VSWR In	1.8:1	2.0:1 Max.
VSWR Out	1.8:1	2.0:1 Max.
Noise Figure (dB)	4.0	6.0 Max.
Power Vdc	+15	+15
mA	380	400 Max.

### Absolute Maximum (No Damage) Ratings

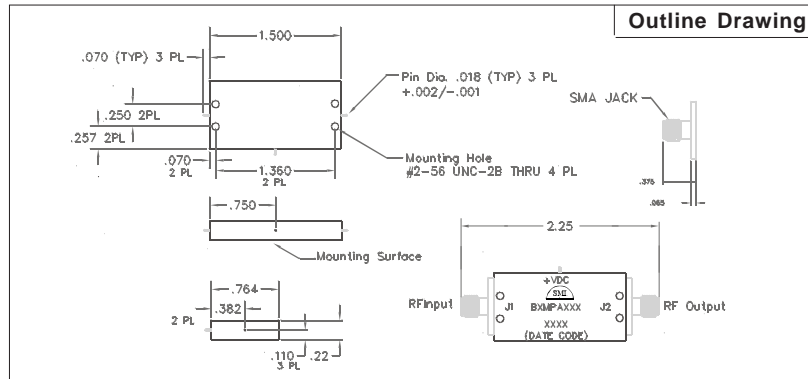
Ambient Operating Temperature ..... -55°C to +100 °C  
 Storage Temperature ..... -62°C to +125 °C  
 Case Temperature ..... +125 °C  
 DC Voltage ..... +18 Volts  
 Continuous RF Input Power (CW) ..... +15 dBm  
 Revision 9/24/2012

Note: Care should always be taken to effectively ground the case of each unit.

### Typical Performance Data



Legend ——— +25 °C    - - - - +85 °C    ······ -40 °C



Spectrum Microwave · 2144 Franklin Drive N.E. · Palm Bay, Florida 32905 · PH (888) 553-7531 · Fax (888) 553-7532

www.SpectrumMicrowave.com Spectrum Microwave · 2707 Black Lake Place · Philadelphia, Pennsylvania 19154 · PH (215) 464-4000 · Fax (215) 464-4001